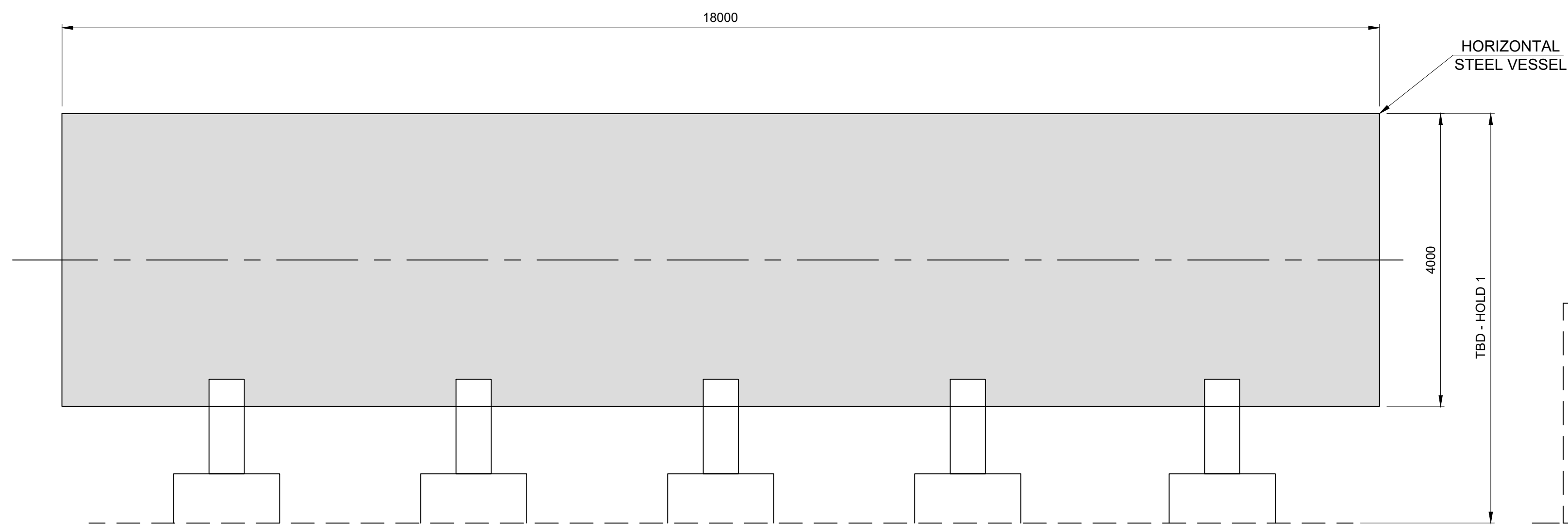


- Notes
- DO NOT SCALE FROM THIS DRAWING.
 - ALL DIMENSIONS ARE IN MM UNLESS OTHERWISE STATED.
 - THIS DRAWING IS TO BE READ IN CONJUNCTION WITH ALL RELEVANT DOCUMENTS AND DRAWINGS.
 - STORAGE VESSEL DIMENSIONS & SUPPORT STRUCTURE ARE INDICATIVE.

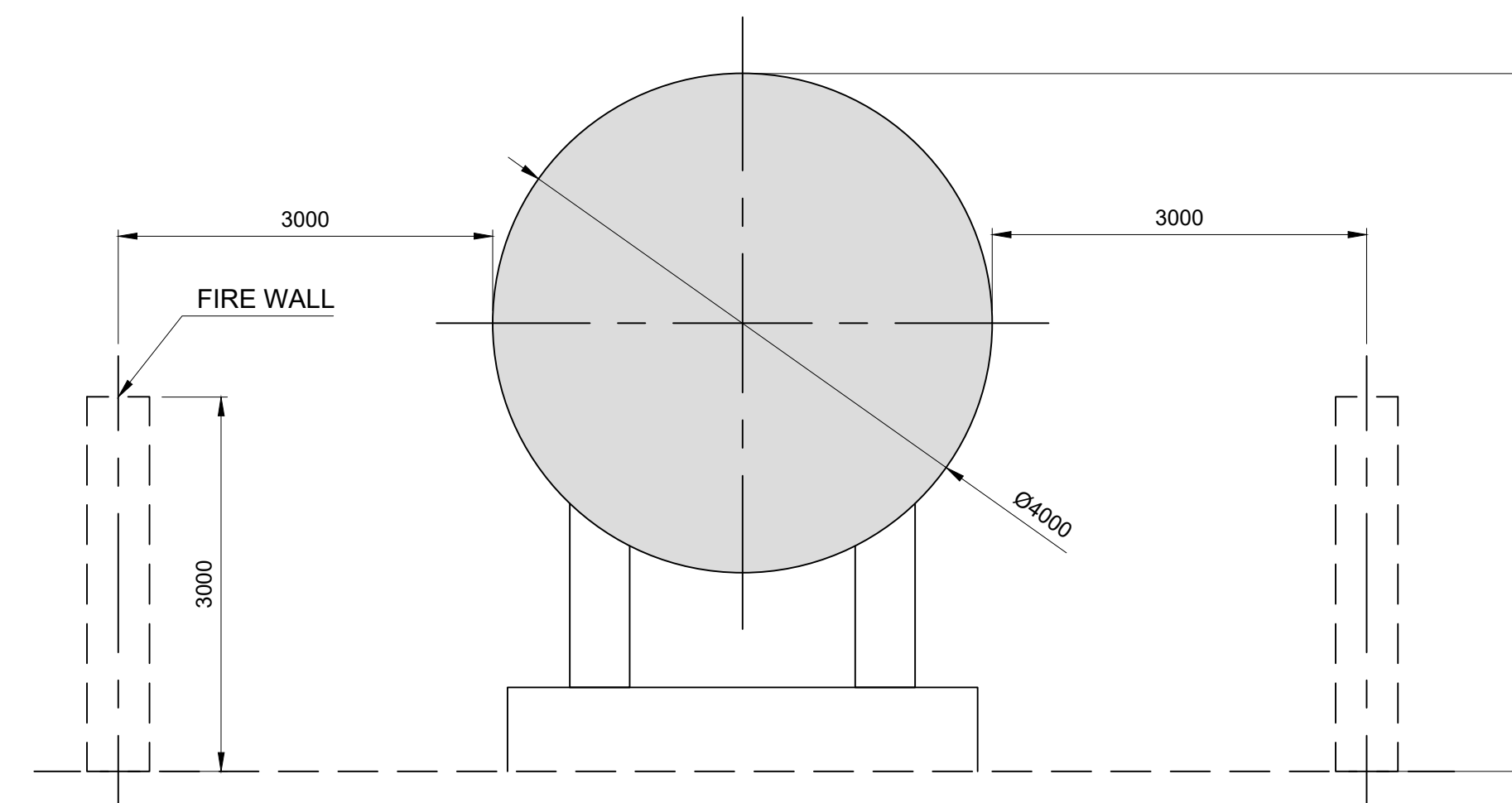
- HOLDS
- VESSEL SUPPORT DETAILS - VENDOR TO CONFIRM
 - LOCATION OF STORAGE VESSEL / CONTAINER CONNECTIONS - VENDOR TO CONFIRM.

Key to symbols

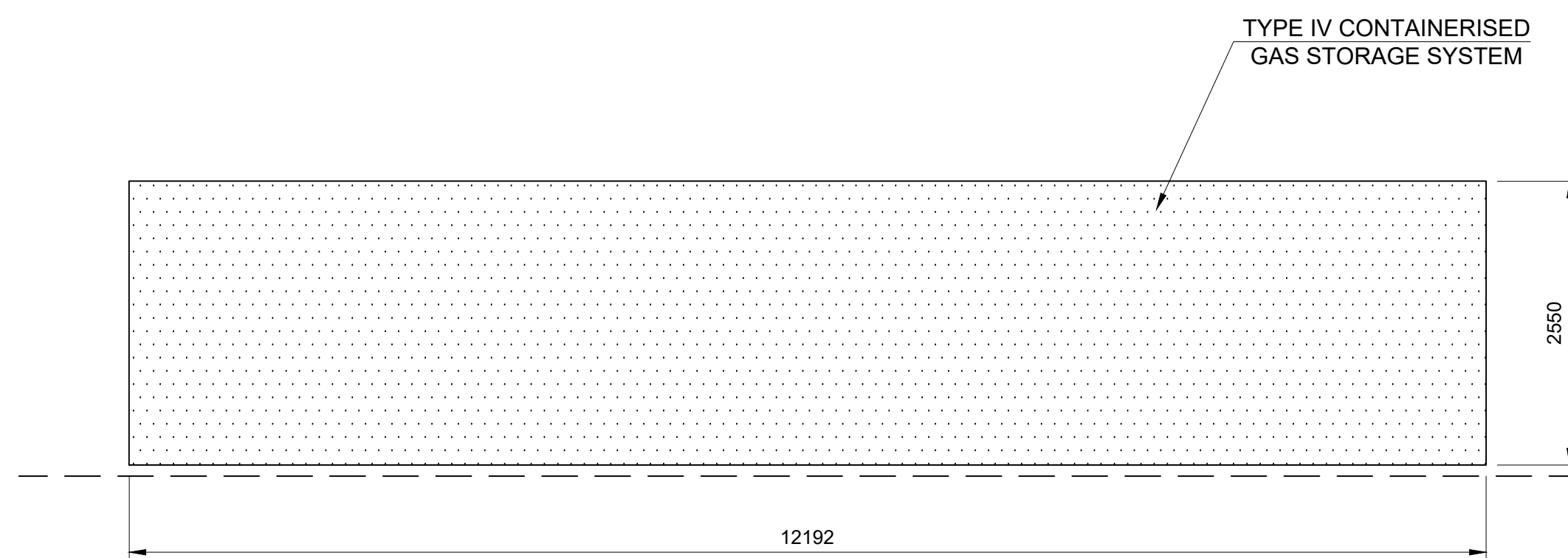
Reference drawings



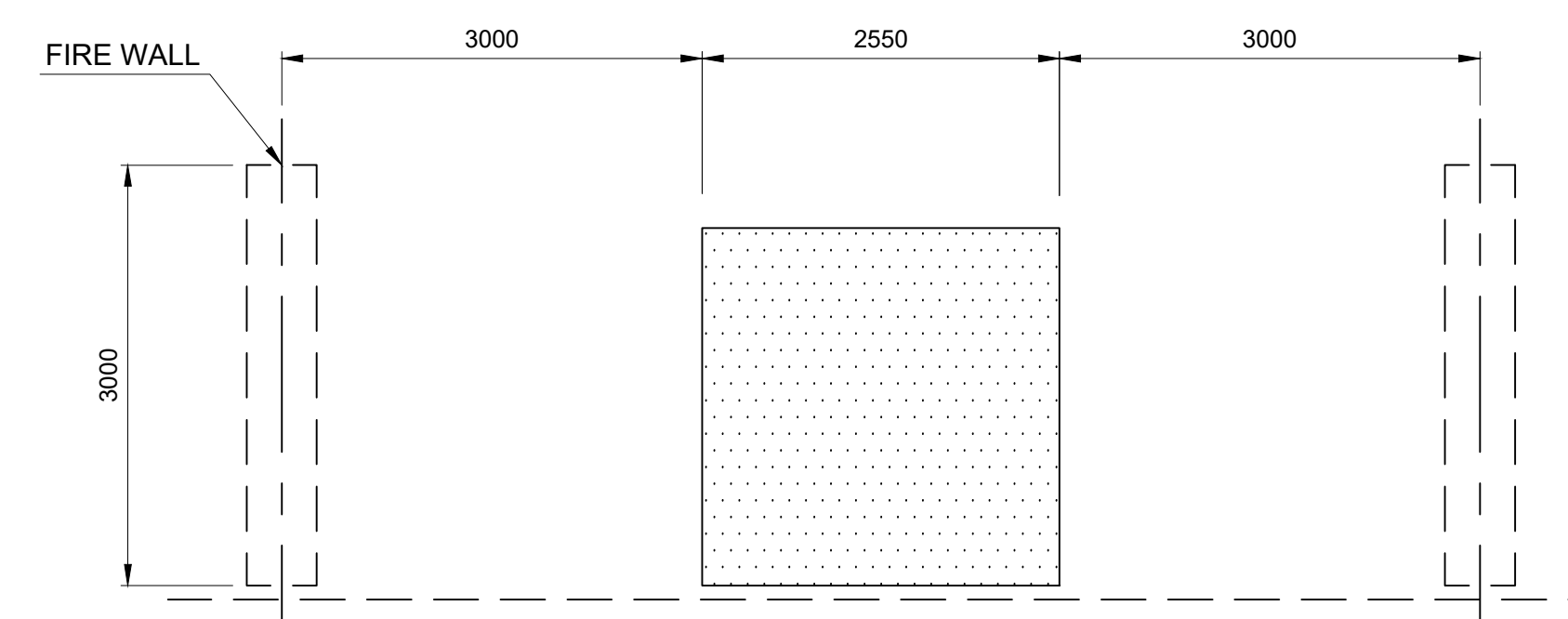
TYPICAL SIDE ELEVATION OF LP STORAGE VESSEL



TYPICAL END ELEVATION OF LP STORAGE VESSEL



TYPICAL SIDE ELEVATION OF MP STORAGE CONTAINER



TYPICAL END ELEVATION OF MP STORAGE CONTAINER

Rev	Date	Drawn	Description	Ch'k'd	App'd
P01	11/11/22	KC	ISSUED FOR INFORMATION	AHo	JP

Status Stamp

NOT FOR CONSTRUCTION

M
MOTT
MACDONALD

Victory House
Trafalgar Place
Brighton, BN1 4FY
United Kingdom

T +44 (0)1273 365000
F +44 (0)20 8681 5706
W www.mottmac.com

Client

Marubeni

95 Gresham Street
London
EC2V 7AB
+44 (0)20 7826 8811
www.marubeni-europower.com

Title

**BRIDGEND GREEN HYDROGEN
HYDROGEN PRODUCTION FACILITY
HYDROGEN STORAGE ELEVATIONS**

Sheet 01 of 01

Designed	A Harris	AH	Eng check	A Ho	AHo
Drawn	K Chaudhari	KC	Coordination	A Harris	AH
Dwg check	M Panchal	MP	Approved	J Paul	JP

MMD Project Number	Scale at A1	Security
108939	1:50	STD

Suitability Description

Suitable for Review & Comment

S3

Drawing Number	Revision
108939-MMD-BRGR-XX-DR-C-0059	P01

